

City of Rocklin
Construction Specifications
Improvement Standards
Standard Drawings
March 2006 Edition

Errata Sheet 1

1. Correct the following references to standard drawings:

Paragraph 86-2.03 - change "TS-4" to "8-4"

Paragraph 86-2.11 - change "TS-1" to "8-1"

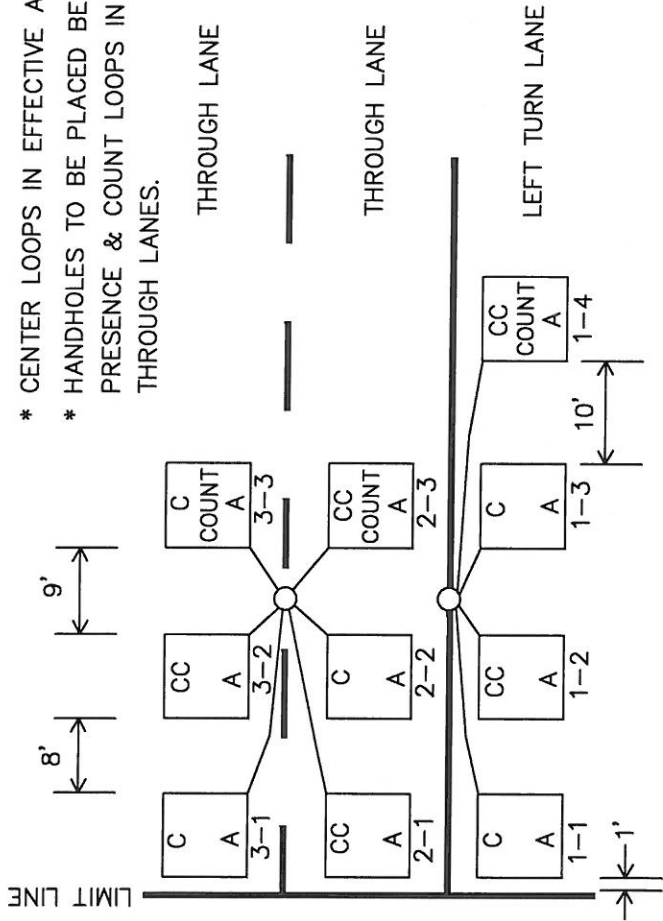
Paragraph 86.501A(4) - change "TS-5" to "8-5"

Paragraph 86-5.01A(5) - change "TS-5" to "8-5"

Paragraph 86-5.01E - change "TS-5" to "8-5"

2. Replace Standard Drawing 8-5 with the attached new drawing.

- * CENTER LOOPS IN EFFECTIVE AREA.
- * HANDHOLES TO BE PLACED BETWEEN PRESENCE & COUNT LOOPS IN THE THROUGH LANES.



LEGEND

- A = TYPE "A" LOOP
- C = CLOCKWISE WOUND LOOP
- CC = COUNTER CLOCKWISE WOUND LOOP
- 1-1 = LANE #, LOOP #
- COUNT = COUNT LOOP

LOOP DETECTOR ASSIGNMENTS

| | (1) | (2) | 1 | 2 | 3 |
|---------|----------------------------------|------------------------------|------------------------------|------------------------------|------------------------------|
| | THRU | THRU | THRU | THRU | THRU |
| CALL | 111U 315U 5J1U 7J5U | 111L 315L 5J1L 7J5L | 214U 418U 6J4U 8J8U | 214L 418L 6J4L 8J8L | 212L 416L 6J2L 8J6L |
| COUNT | 119U* 319L* 5J9U* 7J9L* | | 213U 417U 6J3U 8J7U | 212U 416U 6J2U 8J6U | 212L 416L 6J2L 8J6L |
| ADVANCE | | | | 213L 417L 6J3L 8J7L | |

* Separate DLC's shall be required for each loop, and a permanent label shall be required to designate their location.

DRAWING APPROVED - CITY ENGINEER

[Signature]
DRAWING APPROVED - DIRECTOR OF PUBLIC WORKS

| | |
|---|-------|
| CITY OF ROCKLIN ENGINEERING DIVISION | |
| TYPICAL LOOP DETECTOR LAYOUT | |
| SCALE: NONE | DWG # |
| DATE: MAY 2005 | TS-5 |
| DRAWN BY: STAFF | |