

PRELIMINARY SITE PLAN COLLEGE PARK NORTH

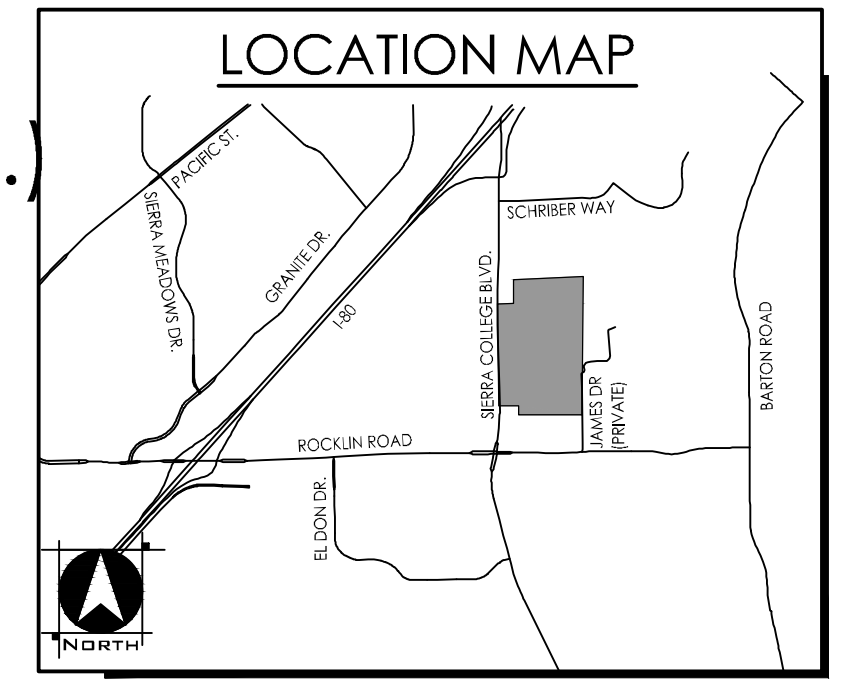
CITY OF ROCKLIN, CALIFORNIA

SHEET 4 OF 8

JANUARY 25, 2019

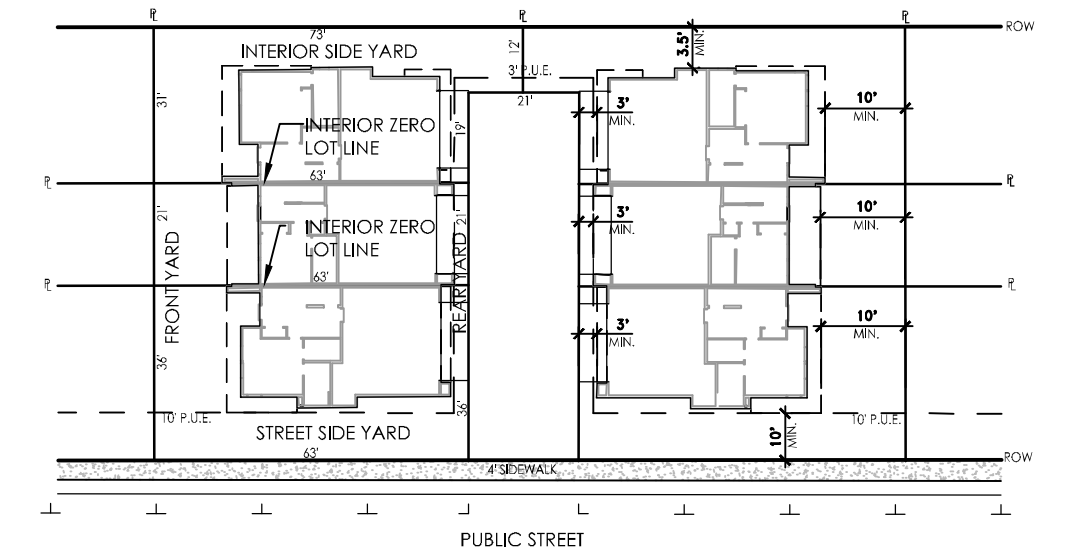
REVISED: MARCH 22, 2019

REVISED: NOVEMBER 5, 2020



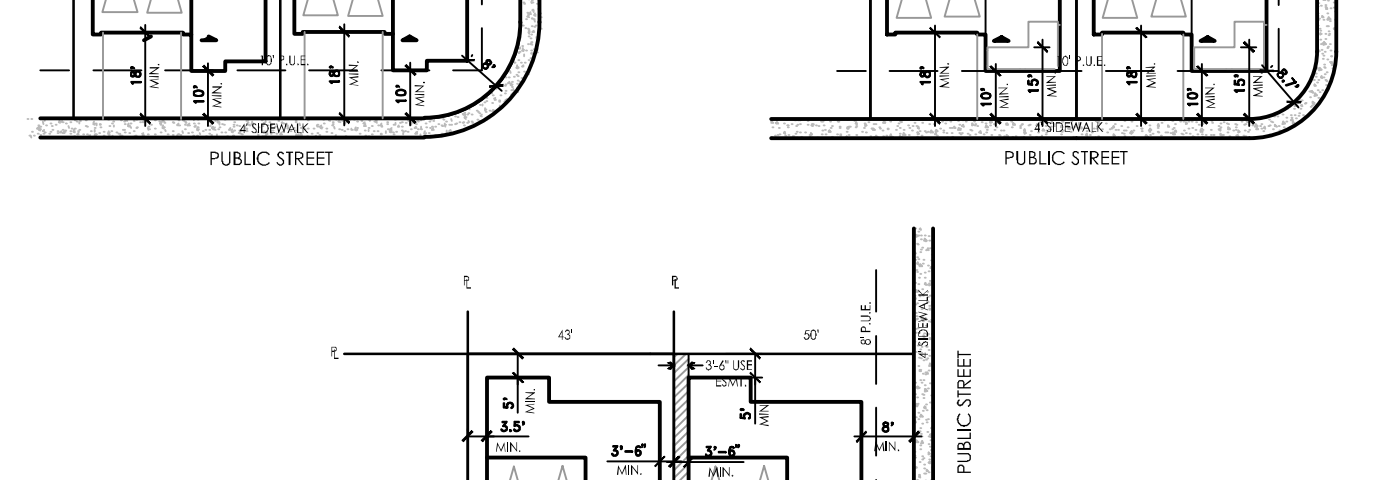
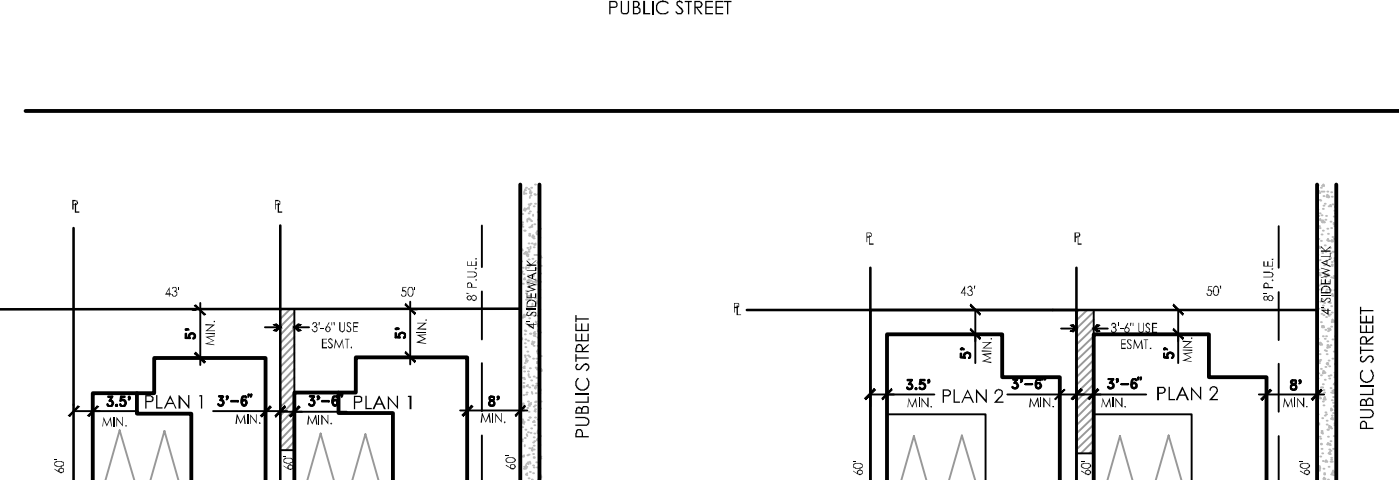
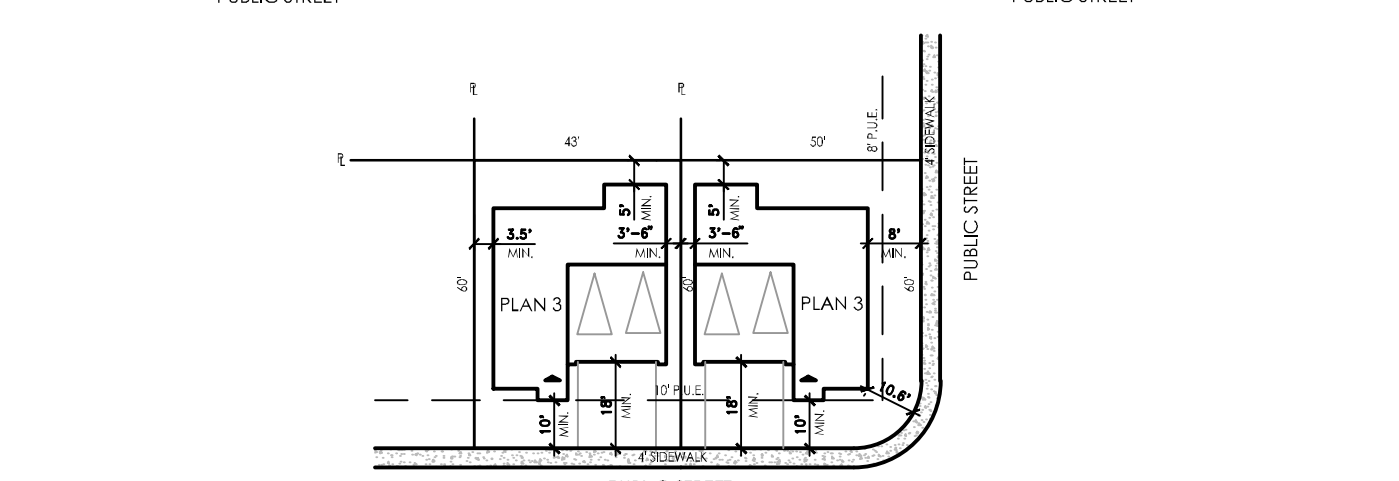
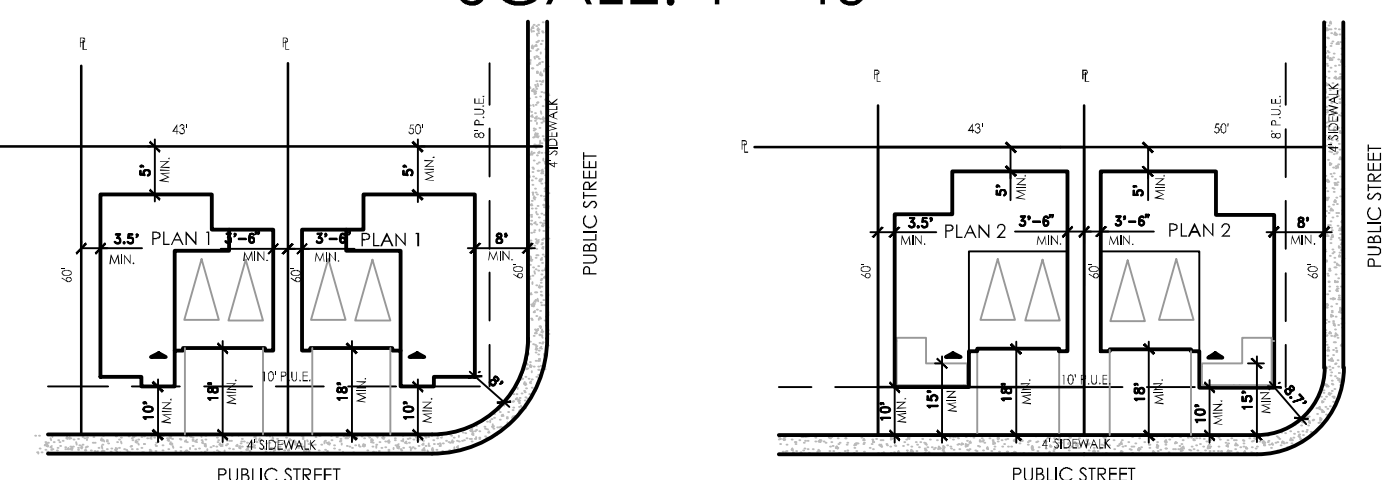
TRIPLEX

SCALE: 1"=40'



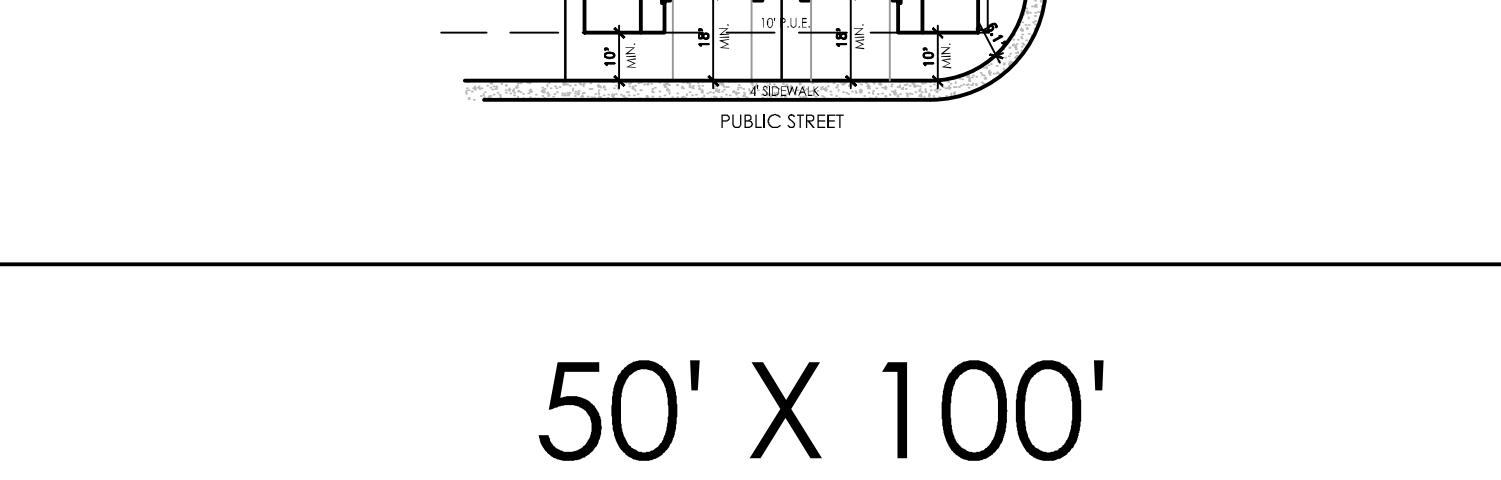
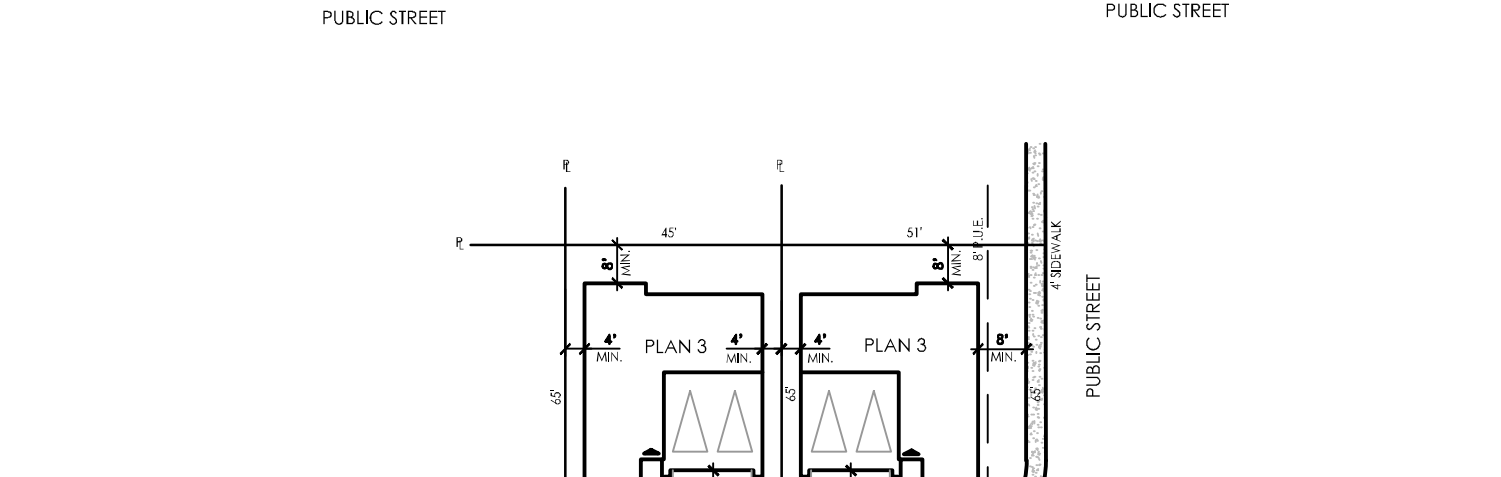
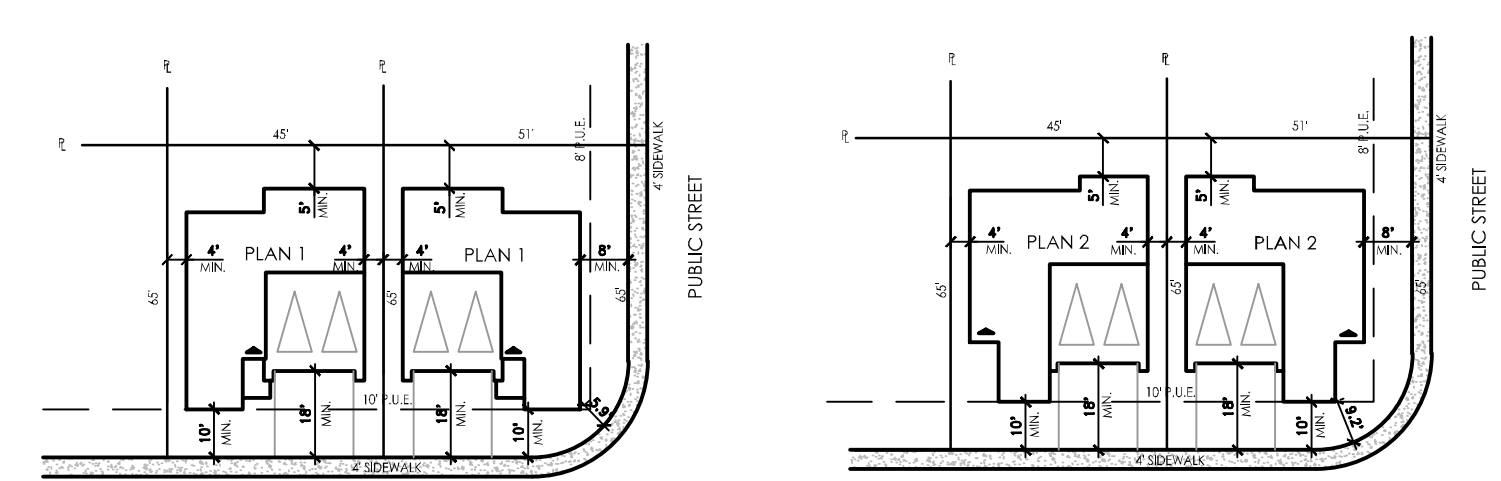
43' X 60'

SCALE: 1"=40'



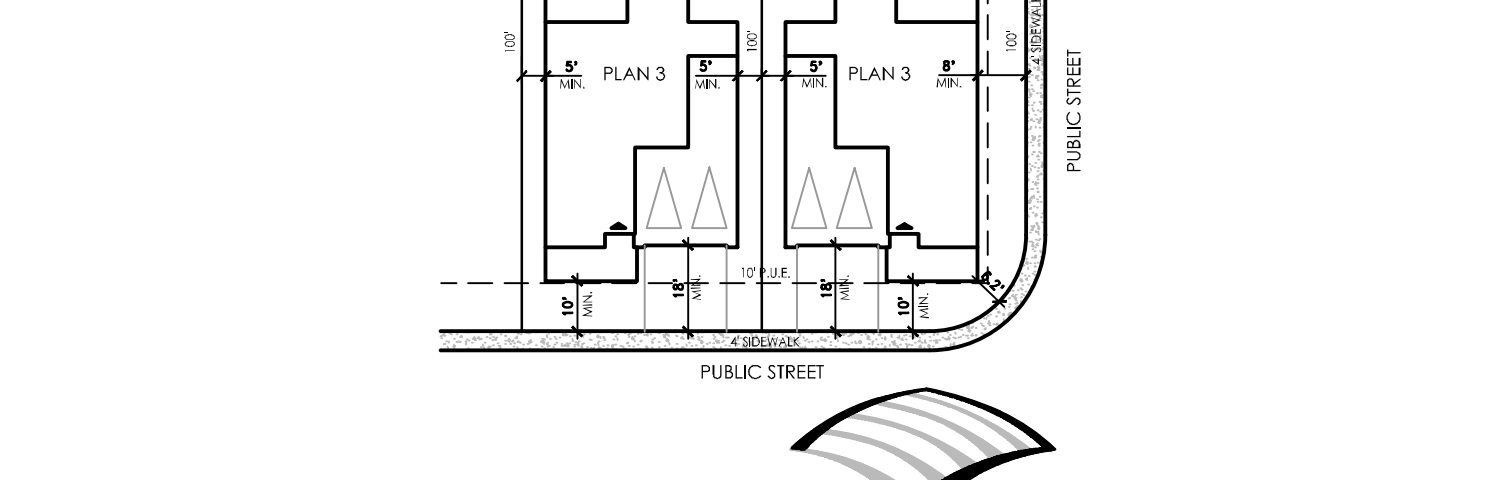
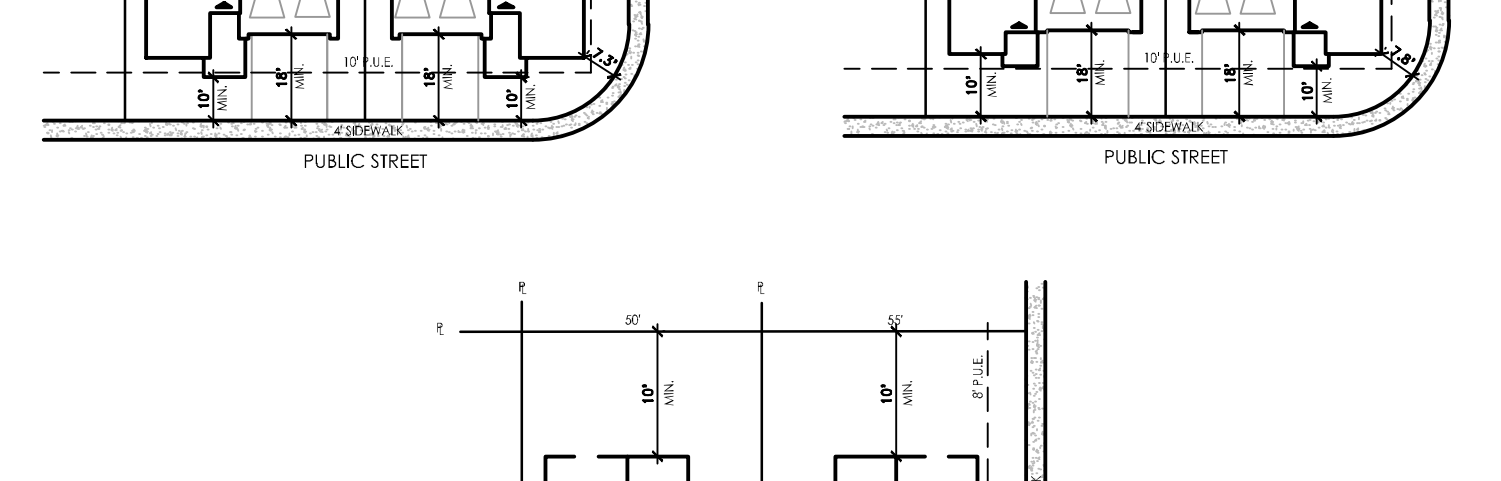
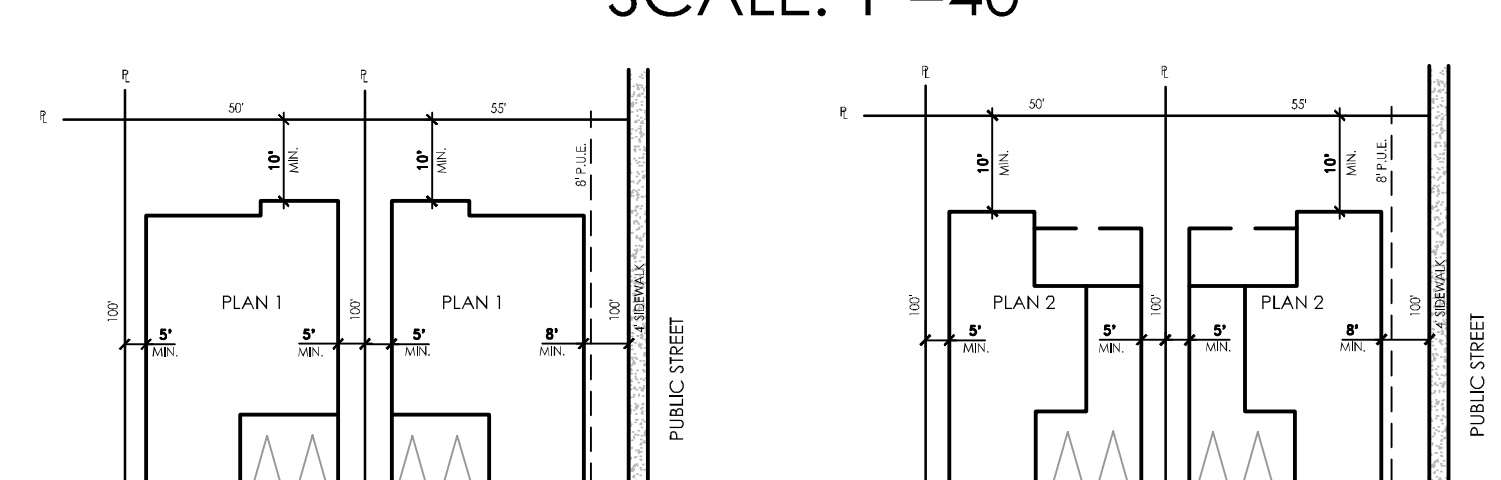
45' X 65'

SCALE: 1"=40'



50' X 100'

SCALE: 1"=40'



| LEGEND | |
|--------|-------------------------------------|
| | 50' BUFFER |
| | RIPARIAN WETLAND (0.082 ACRE) |
| | SEASONAL WETLAND (0.114 ACRE) |
| | SEASONAL WETLAND SWALE (0.341 ACRE) |
| | SEEP (0.125 ACRE) |
| | EPHEMERAL DRAINAGE (0.055 ACRE) |

VILLAGE 8
(54) 20'x 60'(TYP.) LOTS
4.6± AC.(G)
2.5± AC.(N)

LOT O
LANDSCAPE LOT
0.04± AC. (N)

LOT P
LANDSCAPE LOT
0.2± AC. (N)

LOT Q
LANDSCAPE LOT
0.2± AC. (N)

LOT R
LANDSCAPE LOT
0.2± AC. (N)

LOT S
LANDSCAPE LOT
0.4± AC. (N)

LOT T
LANDSCAPE LOT
0.4± AC. (N)

LOT U
LANDSCAPE LOT
0.4± AC. (N)

LOT V
LANDSCAPE LOT
0.4± AC. (N)

LOT W
LANDSCAPE LOT
0.4± AC. (N)

LOT X
LANDSCAPE LOT
0.4± AC. (N)

LOT Y
LANDSCAPE LOT
0.4± AC. (N)

LOT Z
LANDSCAPE LOT
0.4± AC. (N)

LOT AA
LANDSCAPE LOT
0.4± AC. (N)

LOT AB
LANDSCAPE LOT
0.4± AC. (N)

LOT AC
LANDSCAPE LOT
0.4± AC. (N)

LOT AD
LANDSCAPE LOT
0.4± AC. (N)

LOT AE
LANDSCAPE LOT
0.4± AC. (N)

VILLAGE 3
(70) 45'x 65'(TYP.) LOTS
7.6± AC.(G)
4.9± AC.(N)

LOT E
OPEN SPACE
4.9+ AC. (G)
4.7+ AC. (N)

LOT G
LANDSCAPE LOT
0.03± AC. (N)

VILLAGE 7
(32) 43'x 60'(TYP.) LOTS
3.3± AC.(G)
2.1± AC.(N)

LOT D
PARK
0.7+ AC. (G)
0.7+ AC. (N)

VILLAGE 6
(46) 43'x 60'(TYP.) LOTS
4.7± AC.(G)
2.9 AC.(N)

LOT B
PARK
4.2± AC. (G)
4.2± AC. (N)

LOT I
LANDSCAPE LOT
0.04± AC. (N)

LOT A
4.5± AC.(G)
4.0± AC.(N)

LOT C
PARK
1.7± AC. (G)
1.7± AC. (N)

VILLAGE 5
(36) 45'x 65'(TYP.) LOTS
4.7± AC.(G)
2.9± AC.(N)

LOT L
LANDSCAPE LOT
0.03± AC. (N)

LOT K
LANDSCAPE LOT
0.03± AC. (N)

LOT J
LANDSCAPE LOT
0.03± AC. (N)

VILLAGE 4
(41) 45'x 65'(TYP.) LOTS
4.6± AC.(G)
3.0± AC.(N)

VILLAGE 2
(18) 50'x 100'(TYP.) LOTS
2.7± AC.(G)
2.3± AC.(N)

045-150-009

045-150-010

045-150-011

045-150-012

045-150-013

045-150-014

045-150-015

045-150-016

045-150-017

045-150-018

045-150-019

045-150-020

045-150-021

045-150-022

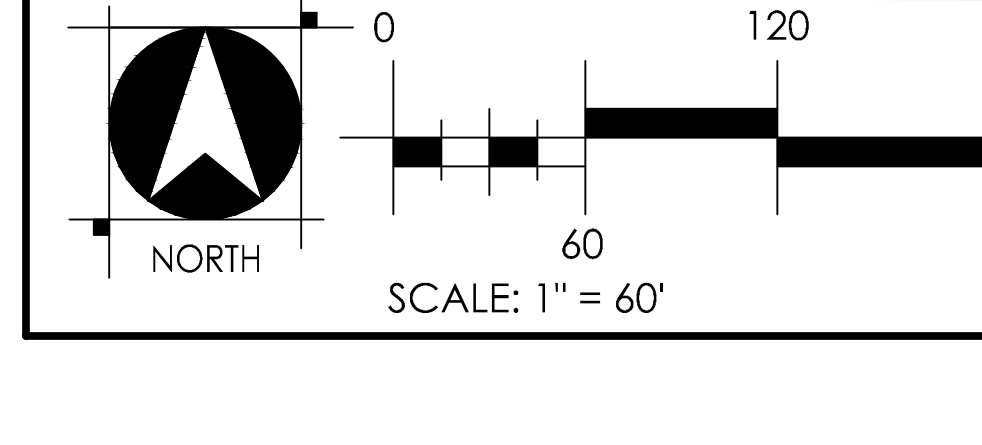
045-150-023

045-150-024

045-150-025

045-150-026

045-150-027



SCALE: 1"=60'

ROCKLIN SIERRA APARTMENTS LLC 045-161-016

BOARDWALK APARTMENTS LLC 045-161-023

SIERRA COLLEGE BOULEVARD

SIERRA JOINT COMMUNITY COLLEGE DISTRICT 045-150-050

UYEDA 045-150-009

OTANI 045-150-011

MANZITTO 045-150-034

MARTINEZ 045-150-032

FISH 045-150-039

ROCKLIN ROAD

045-150-009

045-150-010

045-150-011

045-150-012

045-150-013

045-150-014

045-150-015

045-150-016

045-150-017

045-150-018

045-150-019

045-150-020

045-150-021

045-150-022

045-150-023

045-150-024

045-150-025

045-150-026

045-150-027

045-150-028

045-150-029

045-150-030

045-150-031

045-150-032

045-150-033

045-150-034

045-150-035

045-150-036

045-150-037

045-150-038

045-150-039

045-150-040

045-150-041

045-150-042

045-150-043

045-150-044

045-150-045

045-150-046

045-150-047

045-150-048

045-150-049

045-150-050

045-150-051

045-150-052

045-150-053

045-150-054

045-150-055

045-150-056

045-150-057

045-150-058

045-150-059

045-150-060

045-150-061

045-150-062

045-150-063

045-150-064

045-150-065

045-150-066

045-150-067

045-150-068

045-150-069

045-150-070

045-150-071

045-150-072

045-150-073

045-150-074

045-150-075

045-150-076

045-150-077

045-150-078

045-150-079

045-150-080

045-150-081

045-150-082

045-150-083

045-150-084

045-150-085

045-150-086

045-150-087

045-150-088

045-150-089

045-150-090

045-150-091

045-150-092

045-150-093

045-150-094

045-150-095

045-150-096

045-150-097

045-150-098

045-150-099

045-150-100

045-150-101

045-150-102

045-150-103

045-150-104

045-150-105

045-150-106

045-150-107

045-150-108

045-150-109

045-150-110

045-150-111

045-150-112

045-150-113

045-150-114

045-150-115

045-150-116

045-150-117

045-150-118

045-150-119

045-150-120

045-150-121

045-150-122

045-150-123

045-150-124

045-150-125

045-150-126

045-150-127

045-150-128

045-150-129

045-150-130

045-150-131

045-150-132

045-150-133

045-150-134

045-150-135

045-150-136

045-150-137

045-150-138

045-150-139

045-150-140

045-150-141

045-150-142

045-150-143

045-150-144

045-150-145

045-150-146

045-150-147

045-150-148

045-150-149

045-150-150

045-150-151

045-150-152

045-150-153

045-150-154

045-150-155

045-150-156

045-150-157

045-150-158

045-150-159

045-150-160